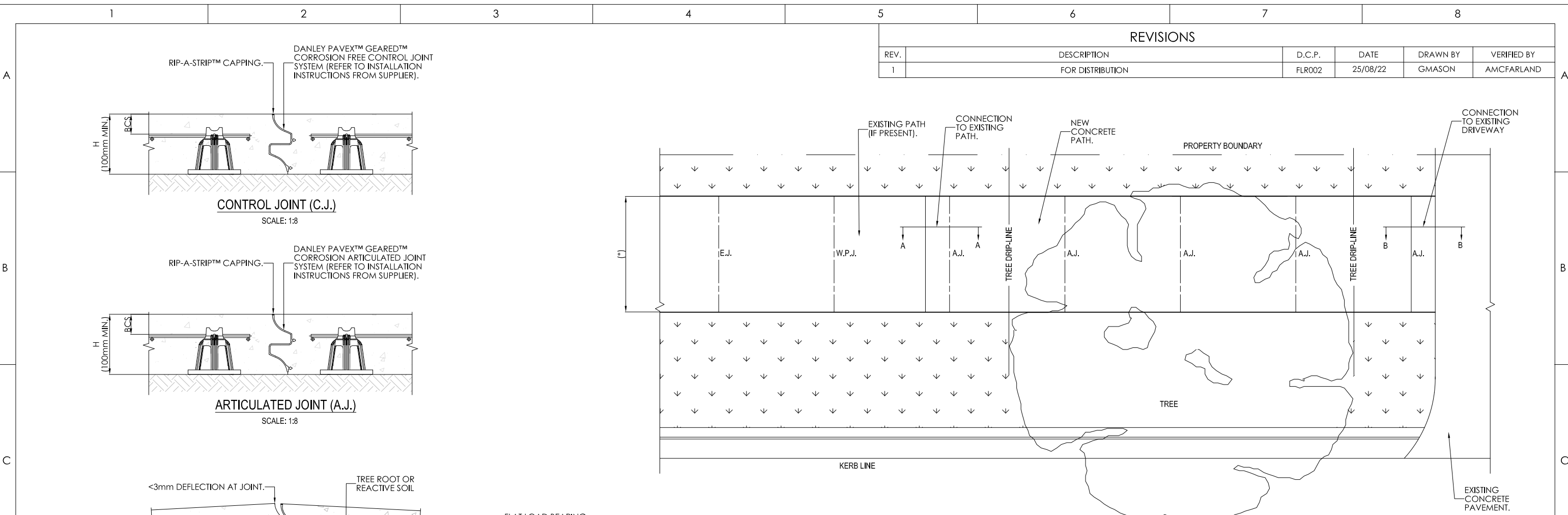


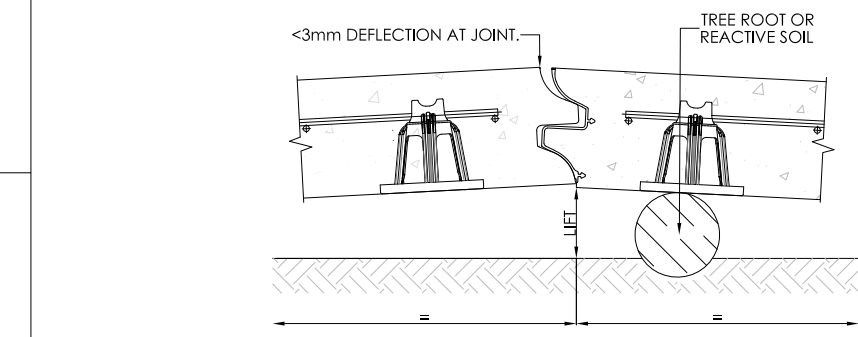
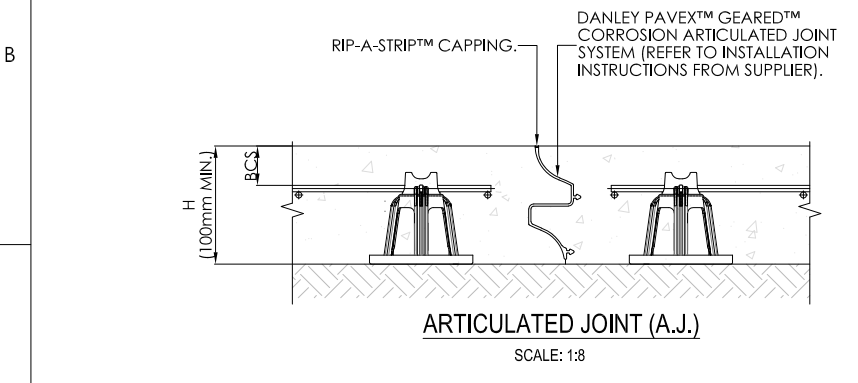
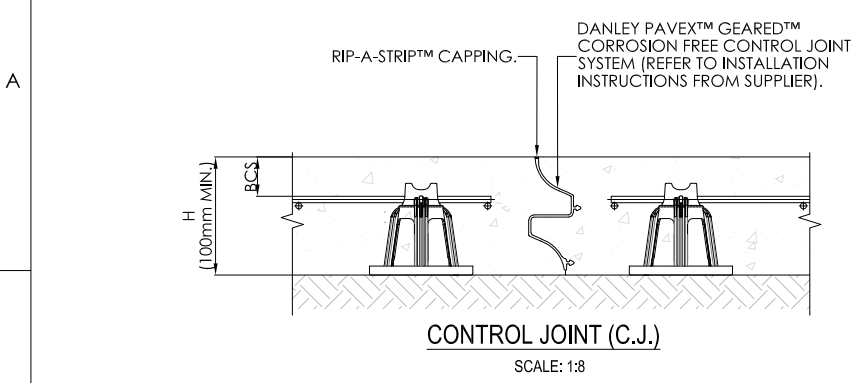
REVISIONS					
REV.	DESCRIPTION	D.C.P.	DATE	DRAWN BY	VERIFIED BY
1	FOR DISTRIBUTION	FLR002	25/08/22	GMASON	AMCFARLAND



TREE REPAIR DETAIL (PLAN)
SCALE: 1:40

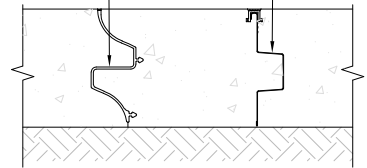
NOTE FOR SPECIFIER:

- 1.2m FOOTPATH EXAMPLE SHOWN, (*) PATH TO REQUIRED DESIGN WIDTH.
- ARTICULATING CONTROL JOINTS (A.J.) IN CONTINUOUS FOOTPATHS AND BIKEWAYS TO BE SPACED (TYPICAL) AT WIDTH TO LENGTH RATIO OF 1:1 TO 1:1.2 (MAX). A.J. TO BE EVENLY SPACED.
- REFERENCE ARTICULATED JOINT DETAILS WHERE EXISTING OR FUTURE TREE ROOT SYSTEMS MAY RESULT IN PATH MOVEMENT/HEAVE.
- FUTURE GROWTH OF TREE TO BE CONSIDERED WHEN DETERMINING JOINT LAYOUT. CONSULT A QUALIFIED ARBORIST.
- ARTICULATED JOINT SYSTEM AT CENTRES TO MATCH PATH WIDTH (E.G. 1200mm CTRS. FOR 1200mm WIDE PATH, 3000mm CTRS. FOR 3000mm WIDE PATH). JOINTS TO EXTEND ONE FULL PANEL PAST DRIP LINE OF MATURE TREE OR MINIMUM OF FIVE JOINTS, WHICHEVER IS GREATER.
- MACRO SYNTHETIC FIBRE CAN BE SUBSTITUTED FOR REINFORCING MESH. FIBRE SUPPLIER INSTRUCTIONS TO BE REFERENCED FOR MIXING AND INSTALLATION PROCEDURES
- FOR EXTRA NOTES PLEASE REFERENCE DRAWING DAN-DWG-007.
- E.J. AND W.P.J. JOINTS TO BE DESIGNED AS PER DAN-DWG-007 SPECIFICATION DETAILS.



ACTIVE JOINT ARTICULATION FUNCTION
SCALE: 1:8
1:12 MAXIMUM LIFT POSSIBLE

FLAT LOAD BEARING SURFACE BETWEEN DUAL ALTERNATING SHEAR KEYS.
TAPERED SINGLE SHEAR KEY ALLOWS DEFLECTION AT JOINT OPENING



LOAD TRANSFER COMPARISON
SCALE: 1:8

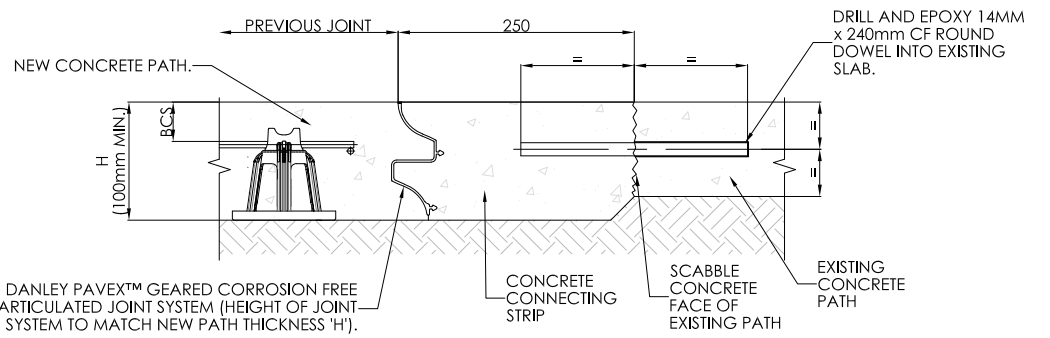
SPECIFICATION

1. DANLEY™ PAVEX™ GEARED™ uPVC CORROSION-FREE, MODULAR SACRIFICIAL FORMWORK JOINTING SYSTEM WITH ARTICULATION FUNCTIONALITY, OVERLAPPING DOUBLE SHEAR KEYS PROVIDING LOAD TRANSFER. RIP-A-STRIP™ CAPPING FEATURE FOR EASY CONCRETE LATENCY REMOVAL. COMPLETE WITH ADJUSTABLE STAKE BRACKETS, DRIVE-N-TWIST STAKES AND JOINERS. TO BE INSTALLED IN ACCORDANCE WITH AS 3727.1:2016 RESIDENTIAL PAVEMENTS. AVAILABLE IN 100 mm 125 mm AND 150 mm JOINT HEIGHTS.

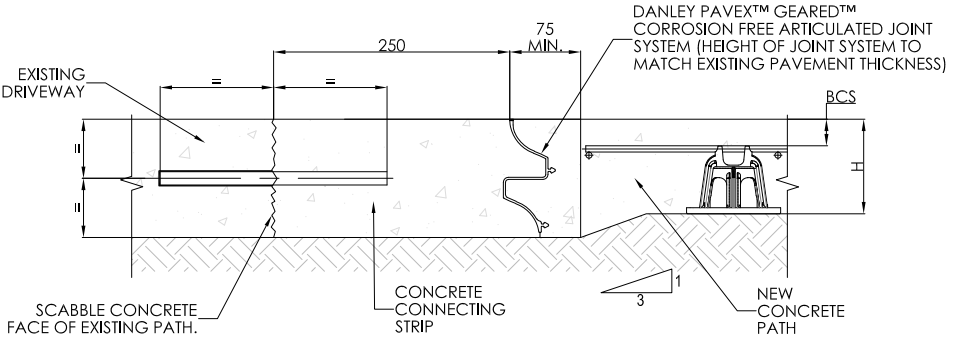
BAR CHAIR SPECIFICATION (BCS)

SLAB THICKNESS	CHAIR SIZE	MESH SIZE	CONCRETE COVER
100 mm	50 mm	SL72	45 mm
125 mm	65 mm	SL82	52 mm
150 mm	90 mm	SL92	51 mm

NOTE FOR SPECIFIER: REFERENCE AS/NZS 2425:2015 FOR BAR CHAIR COMPLIANCE. CONCRETE COVER DIMENSIONS NOTED ARE WHEN CHAIRS SUPPORT UPPER MOST CROSS WIRE. CONCRETE COVER TO MATCH STANDARD BAR CHAIR HEIGHTS.



A.J. CONNECTION TO EXISTING PATH (SECTION A-A)
SCALE: 1:8



A.J. CONNECTION TO EXISTING CONCRETE PAVEMENT (SECTION B-B)
SCALE: 1:8

by DANLEY

21 STEEL PLACE, MORNINGSIDE, QLD, 4170.
A DIVISION OF ITW AUSTRALIA PTY. LTD.
TEL: 1300 DANLEY (1300 326 539) FAX: (07) 3899 1733
EML:sales@danley.com.au
WEB: www.danley.com.au

THE INFORMATION CONTAINED IN THIS DRAWING IS THE SOLE PROPERTY OF REID™ CONSTRUCTION SYSTEMS (ITW) AUSTRALIA.

DO NOT SCALE THIS DRAWING.

DESCRIPTION:
PAVEX™ GEARED™ STANDARD DETAIL DRAWING - RESIDENTIAL FOOTPATHS AND PAVEMENTS

SIGNED:	GMASON	VERIFIED:	AMCFARLAND	APPROVED:	DMANTLE
DATE:	25/08/22	DATE:	25/08/22	DATE:	25/08/22

CAD FILE:
DAN-DWG-008 - PaveX™ Geared™ Standard Details

DRAWING NO:
DAN-DWG-008

SHEET: 2 OF 2 SIZE: A3

SCALE: 1:8 REVISION: 1