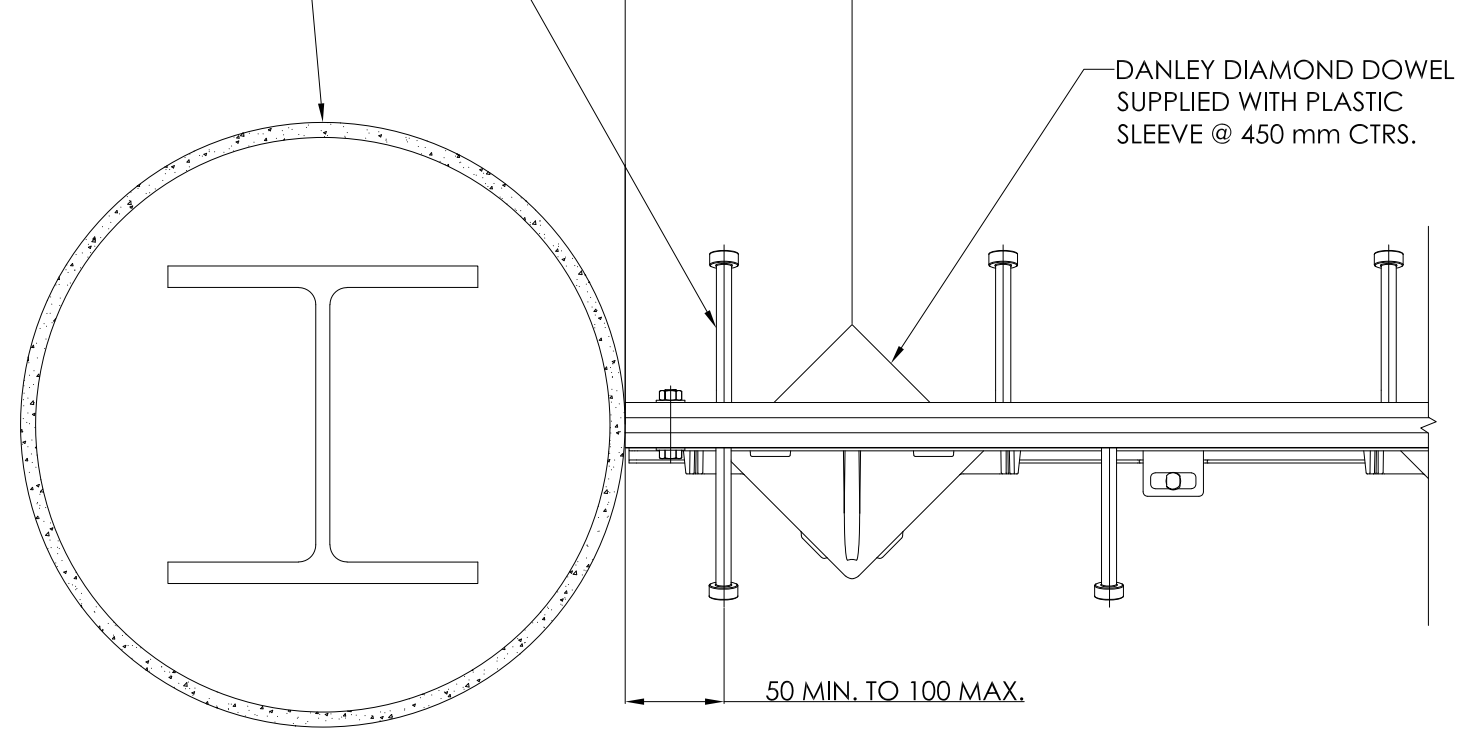


REVISIONS			
REV.	DESCRIPTION	DATE	DRAWN BY
1	FOR DISTRIBUTION	22/05/26	GMASON

WELD ADDITIONAL STUD ON (IF REQUIRED)

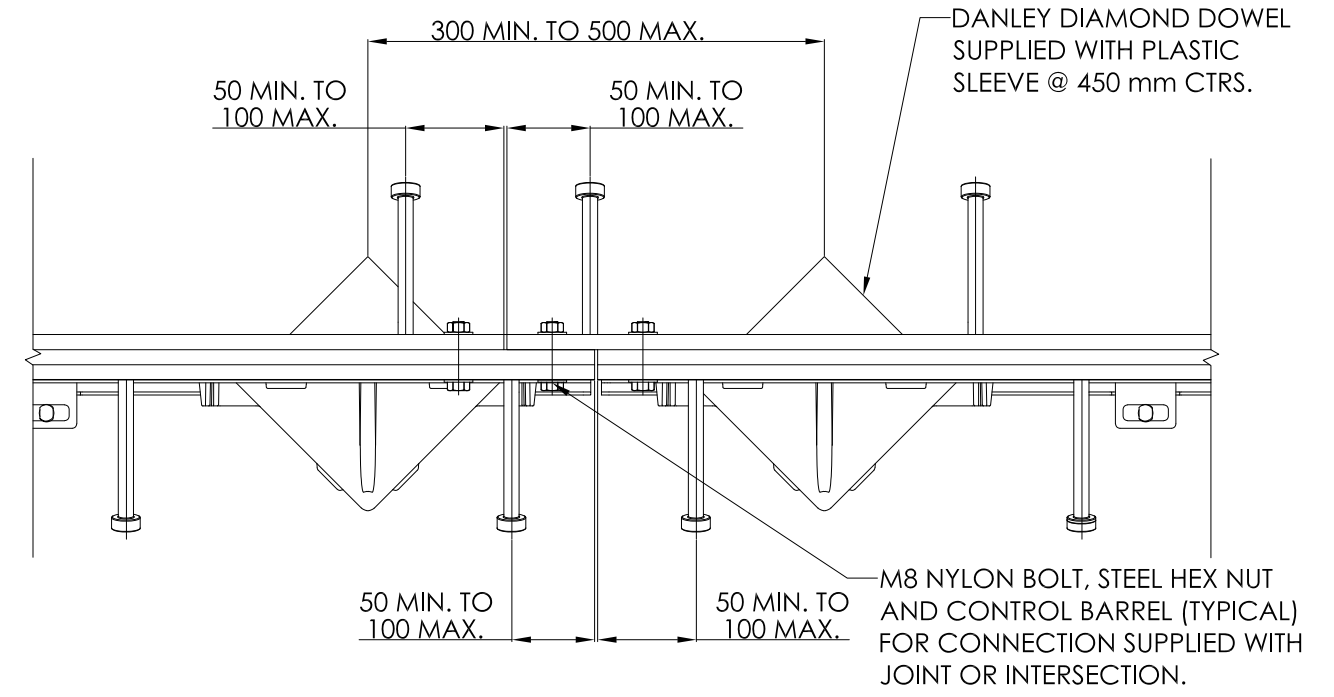
COLUMN SURROUND



**HYPER ARMOURMATE EXPANDA TO COLUMN/WALL**

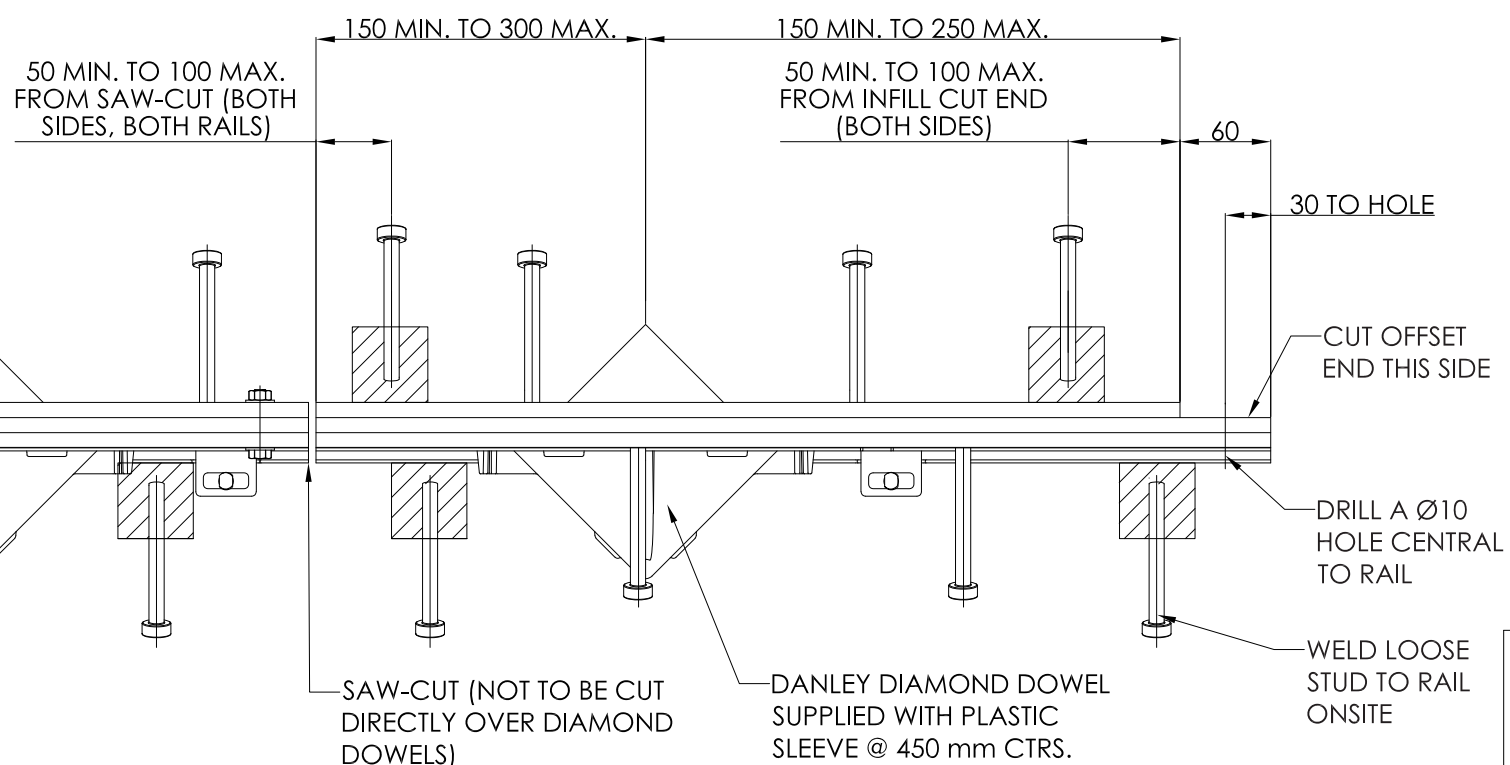
SCALE: 1:5

300 MIN. TO 500 MAX.  
50 MIN. TO 100 MAX.



**HYPER ARMOURMATE EXPANDA DETAIL AT LAP**

SCALE: 1:5



**HYPER ARMOURMATE EXPANDA ONSITE CUTTING OF JOINT**

SCALE: 1:5

**NOTE:**  
EXTRA STUDS TO BE WELDED TO RAIL ONSITE, IF REQUIRED, AS PER MANUFACTURER'S DETAILED INSTRUCTIONS. REMOVE OR REPOSITION STUDS IF NOT WITHIN SPECIFIED TOLERANCES.

<p>21 STEEL PLACE, MORNINGSID, QLD, 4170. A DIVISION OF ITW AUSTRALIA PTY. LTD. TEL: 1300 DANLEY (1300 326 539) FAX: (07) 3899 1733 EML: sales@danley.com.au WEB: www.danley.com.au</p>	<p>DESCRIPTION: HYPER ARMOURMATE™ EXPANDA™ CONNECTIONS</p>		
	SIGNED: GMASON	VERIFIED: AMCFARLAND	APPROVED: IFERRIER
	DATE: 25/05/26	26/05/26	26/05/26
	<p>CAD FILE: DAN-DWG-047 - Hyper ArmourMate™ Expanda™ Connections</p>		
DRAWING NO: DAN-DWG-047		SCALE: 1:5	REVISION: 1
SHEET: 1 OF 1		SIZE: A3	

DO NOT SCALE THIS DRAWING.