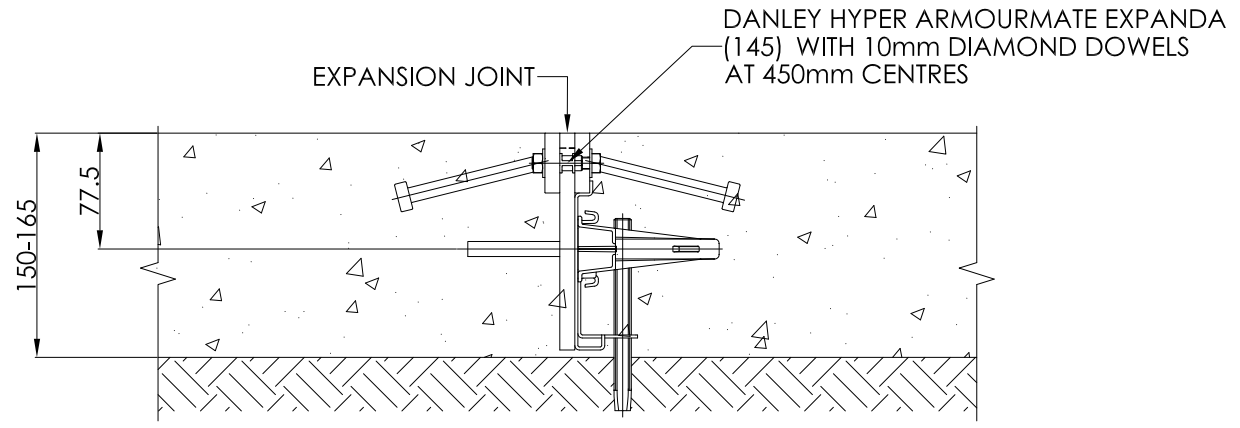
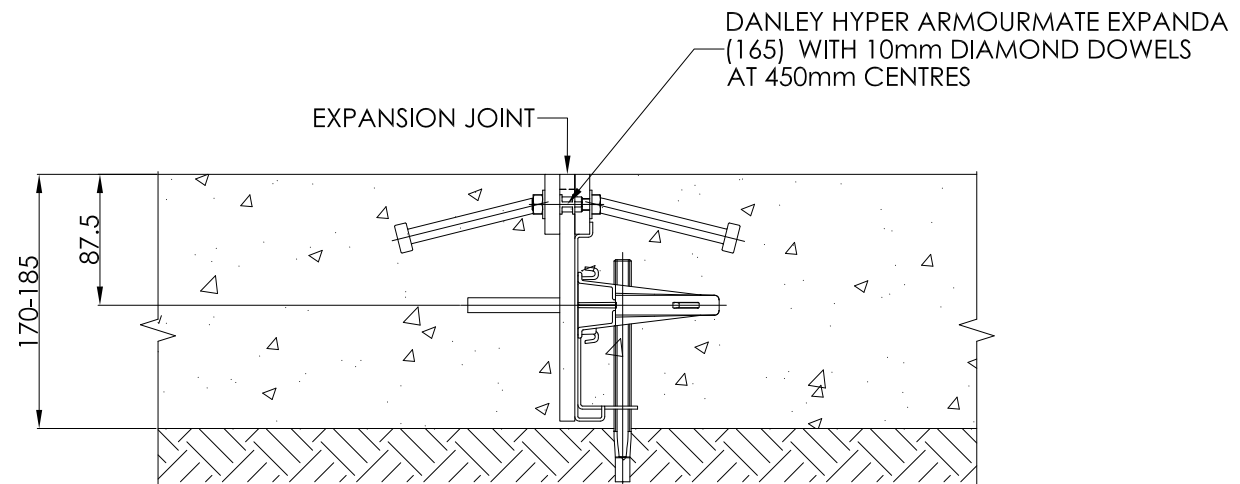


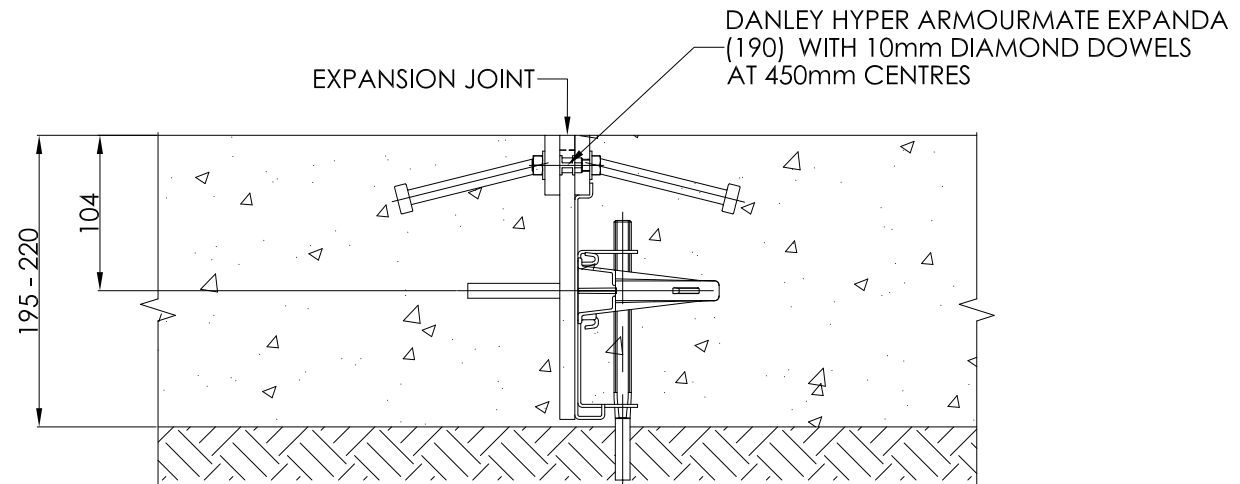
REVISIONS			
REV.	DESCRIPTION	DATE	DRAWN BY
1	FOR DISTRIBUTION	22/05/26	GMASON



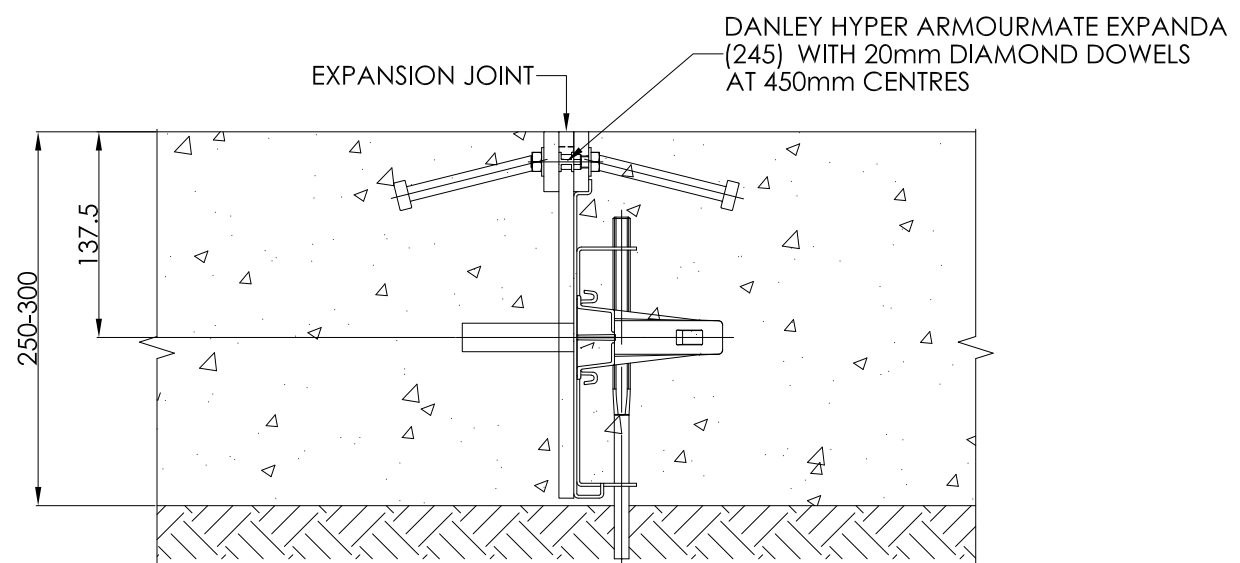
**ARMOURED EXPANSION JOINT (A.E.J.)**  
SCALE: 1:5



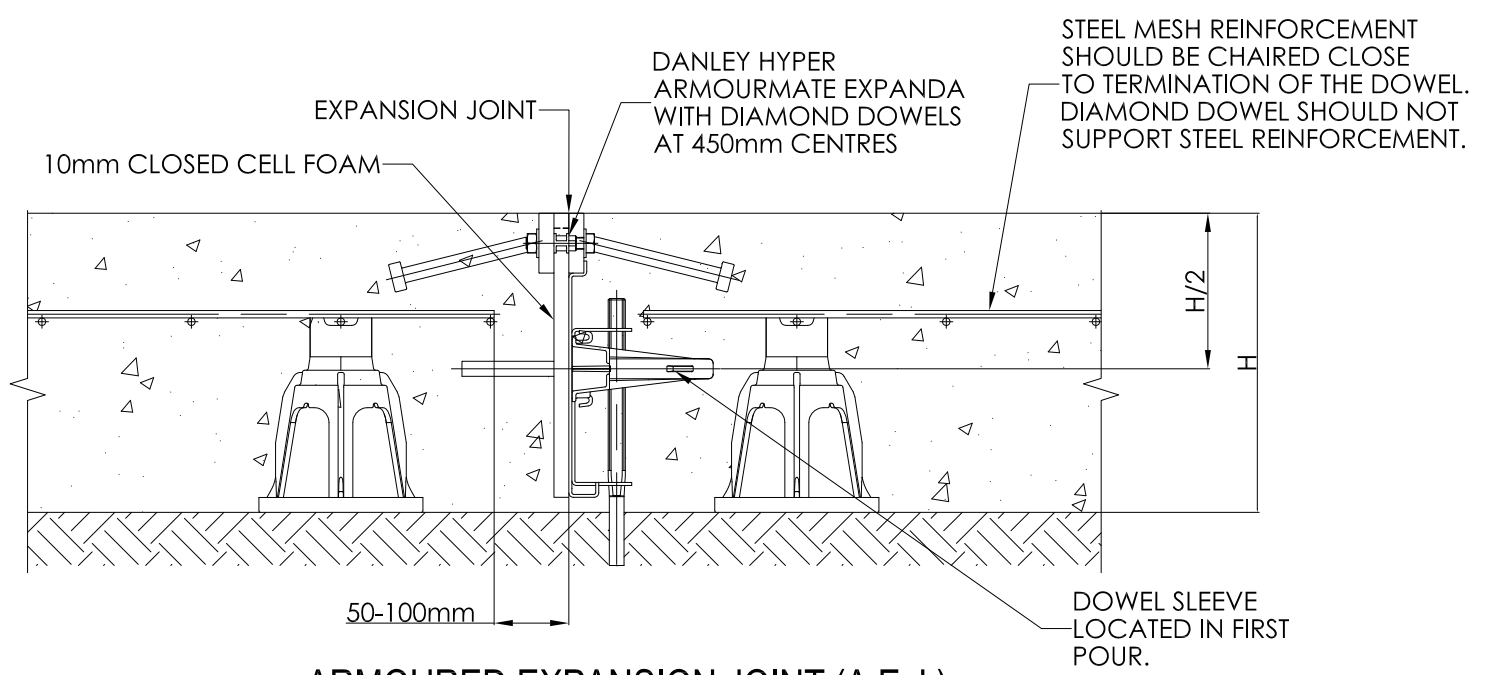
**ARMOURED EXPANSION JOINT (A.E.J.)**  
SCALE: 1:5



**ARMOURED EXPANSION JOINT (A.E.J.)**  
SCALE: 1:5



**ARMOURED EXPANSION JOINT (A.E.J.)**  
SCALE: 1:5



**ARMOURED EXPANSION JOINT (A.E.J.)**  
SCALE: 1:5

**NOTE FOR SPECIFIER: NOT TO BE INCLUDED IN CONSTRUCTION DRAWINGS**  
THIS IS A TYPICAL MESH REINFORCEMENT PLACEMENT. ALTERNATE DESIGN METHODS INCORPORATING DIFFERING MESH PLACEMENT CAN BE USED IN PLACE OF THIS DETAIL AT THE DISCRETION OF THE ENGINEER. FOR FURTHER INFORMATION REGARDING ALTERNATIVE ACCEPTABLE JOINT DETAILS, PLEASE CONTACT YOUR LOCAL DANLEY REPRESENTATIVE.

**GENERAL NOTES:**  
**HYPER ARMOURMATE™ EXPANDA™** DANLEY™ HYPER ARMOURMATE™ EXPANDA™ FITTED WITH DANLEY™ DIAMOND™ DOWELS PROVIDES AN ANCHORED ARMOURED EXPANSION JOINT AT THE CONCRETE ARIS WHILE ALLOWING LOAD TRANSFER ACROSS THE JOINT. AVAILABLE WITH DIAMOND™ DOWELS IN GALVANISED ONLY.

		THE INFORMATION CONTAINED IN THIS DRAWING IS THE SOLE PROPERTY OF ITW CONCRETE SYSTEMS AUSTRALIA.		DESCRIPTION: HYPER ARMOURMATE™ EXPANDA™ SECTIONAL VIEWS - FJS	
21 STEEL PLACE, MORNINGSIDE, QLD, 4170. A DIVISION OF ITW AUSTRALIA PTY. LTD. TEL: 1300 DANLEY (1300 326 539) FAX: (07) 3899 1733 EML:sales@danley.com.au WEB: www.danley.com.au		DO NOT SCALE THIS DRAWING.		SIGNED: GMASON DATE: 22/05/26 DRAWING NO: DAN-DWG-046 SHEET: 1 OF 5	
		VERIFIED: AMCFARLAND DATE: 26/05/26		APPROVED: IFERRIER DATE: 26/05/26	
		CAD FILE: DAN-DWG-046 - Hyper ArmourMate™ Expanda™ Sectional Views (FJS)		SCALE: 1:5 REVISION: 1	
		SIZE: A3			