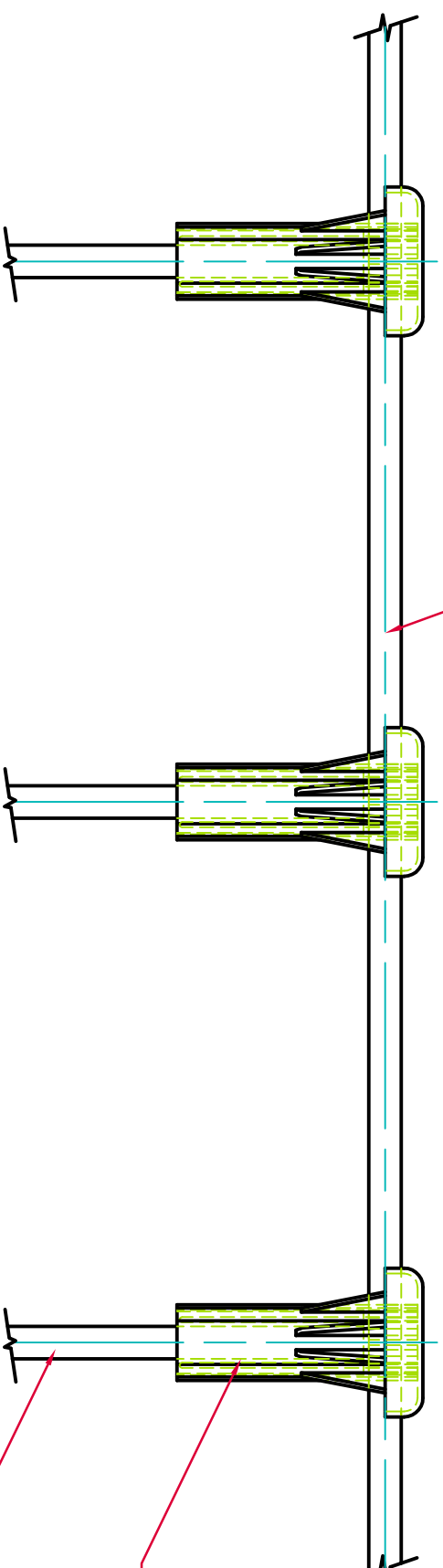
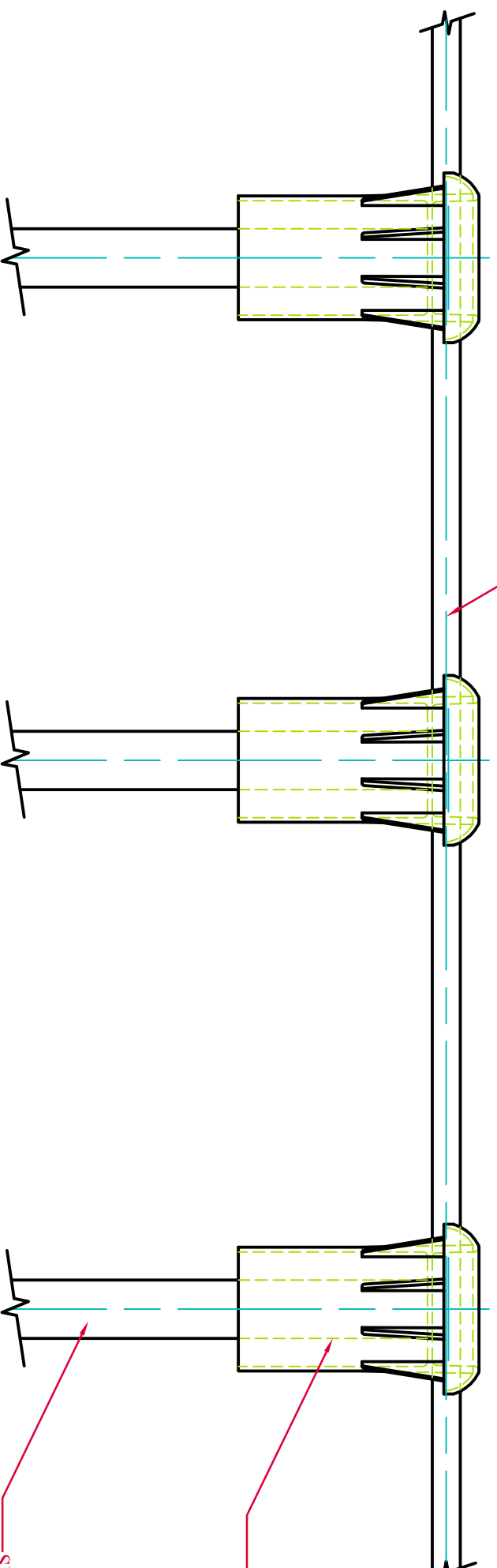


A 12MM CROSS BAR IS PLACED INTO THE TOP OF THE REOSOK™ IN ORDER TO PROVIDE MORE SUPPORT IN THE EVENT OF AN ACCIDENT.



12-20MM REOSOK™

A 12MM CROSS BAR IS PLACED INTO THE TOP OF THE REOSOK™ IN ORDER TO PROVIDE MORE SUPPORT IN THE EVENT OF AN ACCIDENT.



24-36MM REOSOK™

STANDARD SIZES

| | |
|---------|--------|
| 12-20MM | YELLOW |
| 24-36MM | ORANGE |

DANLEY REOSOK™ INSTALLED TO MANUFACTURERS SPECIFICATION.

12-20MM REOSOK™ ACTS AS A BLUNT END AND SCRATCH GUARD ON PROTRUDING BARS

SITS ON TOP OF PROTRUDING 12MM TO 20MM DIAMETER REO BARS

24-36MM REOSOK™ ACTS AS A BLUNT END AND SCRATCH GUARD ON PROTRUDING BARS

SITS ON TOP OF PROTRUDING 24MM TO 36MM REO BAR OR STAR PICKETS